

Emperor Hood

*Available in Oak, Maple and Cherry.

Custom Wood Hoods

The finishing touch for the kitchen of your dreams!

Model Numbers

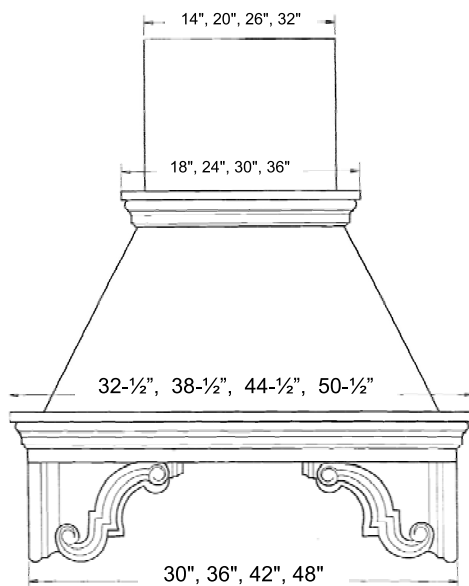
Item #	"Emperior" Wood Hood
FDWHEMP30-RO	30" Emperior Wood Hood / Red Oak
FDWHEMP30-M	30" Emperior Wood Hood / Maple
FDWHEMP30-C	30" Emperior Wood Hood / Cherry
FDWHEMP36-RO	36" Emperior Wood Hood / Red Oak
FDWHEMP36-M	36" Emperior Wood Hood / Maple
FDWHEMP36-C	36" Emperior Wood Hood / Cherry
FDWHEMP42-RO	42" Emperior Wood Hood / Red Oak
FDWHEMP42-M	42" Emperior Wood Hood / Maple
FDWHEMP42-C	42" Emperior Wood Hood / Cherry
FDWHEMP48-RO	48" Emperior Wood Hood / Red Oak
FDWHEMP48-M	48" Emperior Wood Hood / Maple
FDWHEMP48-C	48" Emperior Wood Hood / Cherry
Item #	"Emperior" Island Hood
FDWHEMP-IS30RO	30" Emperior Island Hood / Red Oak
FDWHEMP-IS30M	30" Emperior Island Hood / Maple
FDWHEMP-IS30C	30" Emperior Island Hood / Cherry
FDWHEMP-IS36RO	36" Emperior Island Hood / Red Oak
FDWHEMP-IS36M	36" Emperior Island Hood / Maple
FDWHEMP-IS36C	36" Emperior Island Hood / Cherry
FDWHEMP-IS42RO	42" Emperior Island Hood / Red Oak
FDWHEMP-IS42M	42" Emperior Island Hood / Maple
FDWHEMP-IS42C	42" Emperior Island Hood / Cherry
FDWHEMP-IS48RO	48" Emperior Island Hood / Red Oak
FDWHEMP-IS48M	48" Emperior Island Hood / Maple
FDWHEMP-IS48C	48" Emperior Island Hood / Cherry

Venting can be through the top or out the back.

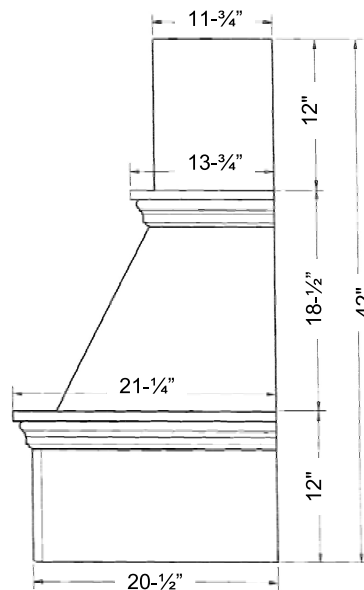


Hardwood trim and molding can be painted or stained.

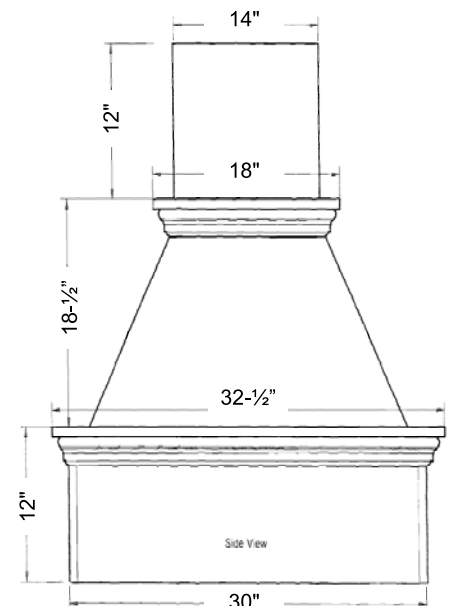
Specifications



Front



Side – Wall Hood



Side - Island Hood