

Custom Wood Hoods

The finishing touch for the kitchen of your dreams!

Model Numbers

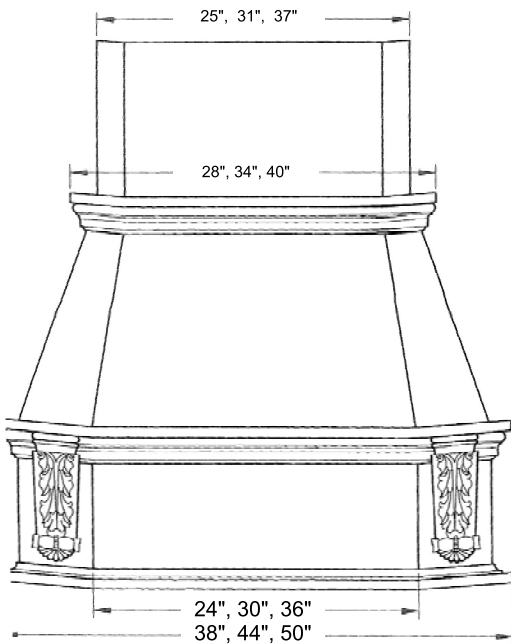
Item #	"Victorian" Wood Hood
FDWHVK36-RO	36" Victorian Wood Hood / Red Oak
FDWHVK36-M	36" Victorian Wood Hood / Maple
FDWHVK36-C	36" Victorian Wood Hood / Cherry
FDWHVK42-RO	42" Victorian Wood Hood / Red Oak
FDWHVK42-M	42" Victorian Wood Hood / Maple
FDWHVK42-C	42" Victorian Wood Hood / Cherry
FDWHVK48-RO	48" Victorian Wood Hood / Red Oak
FDWHVK48-M	48" Victorian Wood Hood / Maple
FDWHVK48-C	48" Victorian Wood Hood / Cherry
Item #	"Victorian" Island Hood
FDWHVK-IS36RO	36" Victorian Island Hood / Red Oak
FDWHVK-IS36M	36" Victorian Island Hood / Maple
FDWHVK-IS36C	36" Victorian Island Hood / Cherry
FDWHVK-IS42RO	42" Victorian Island Hood / Red Oak
FDWHVK-IS42M	42" Victorian Island Hood / Maple
FDWHVK-IS42C	42" Victorian Island Hood / Cherry
FDWHVK-IS48RO	48" Victorian Island Hood / Red Oak
FDWHVK-IS48M	48" Victorian Island Hood / Maple
FDWHVK-IS48C	48" Victorian Island Hood / Cherry

Venting can be through the top or out the back.

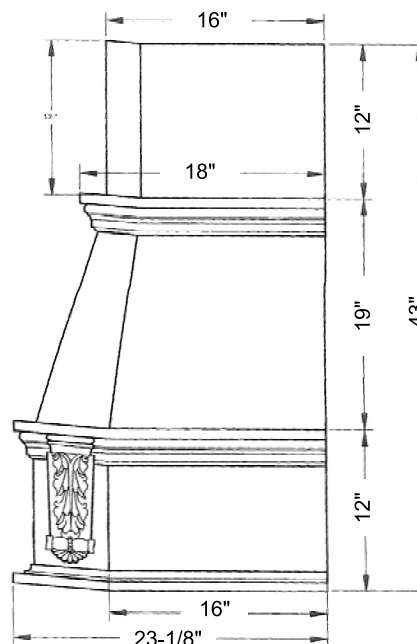


Specifications

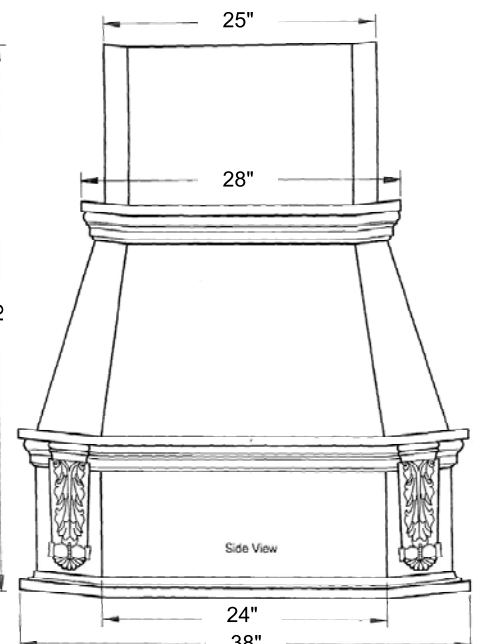
Hardwood trim and molding can be painted or stained.



Front



Side – Wall Hood



Side - Island Hood